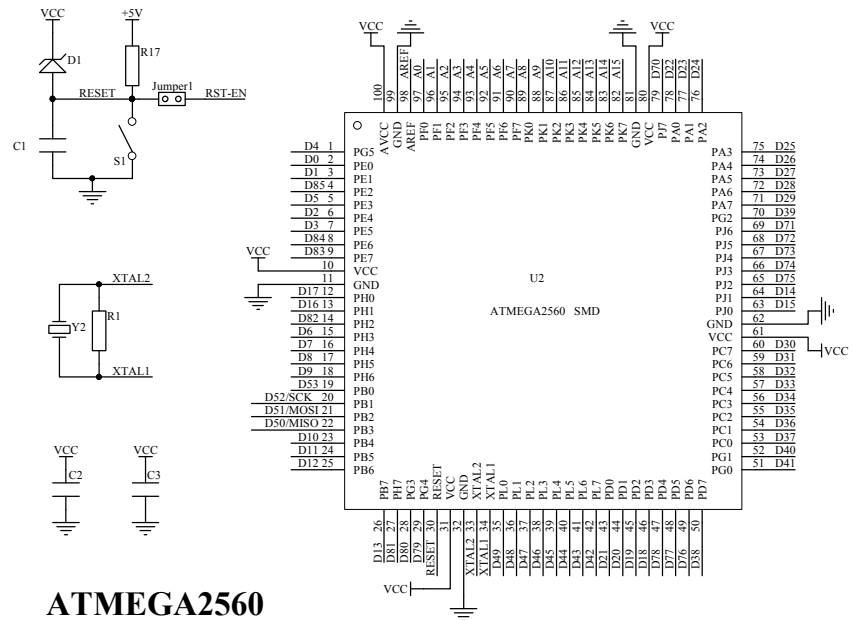
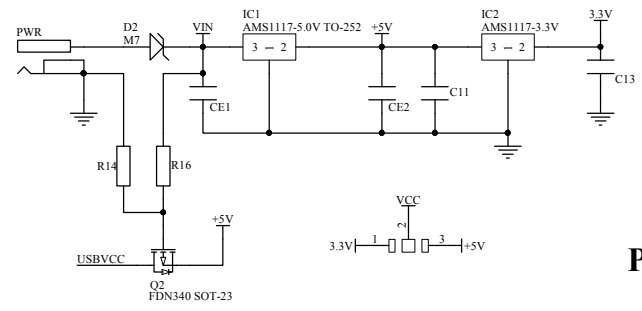


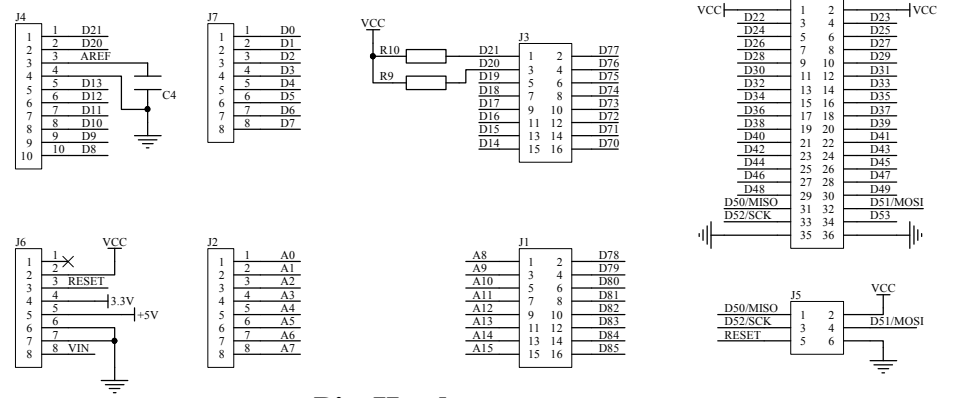
**CP2104**



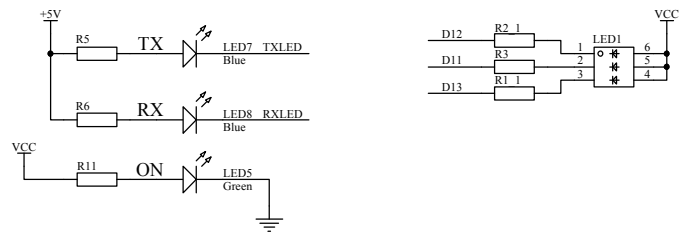
**ATMEGA2560**



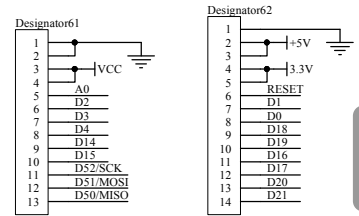
**POWER**



**Pin-Header**



**LED**



**RobotDyn**<sup>®</sup>  
www.robotdyn.com

MegaXPRO R3 - Mega 2560 R3 ATmega2560-16AU,  
USB-UART CP210x, 86 I/O, 5V/3.3V