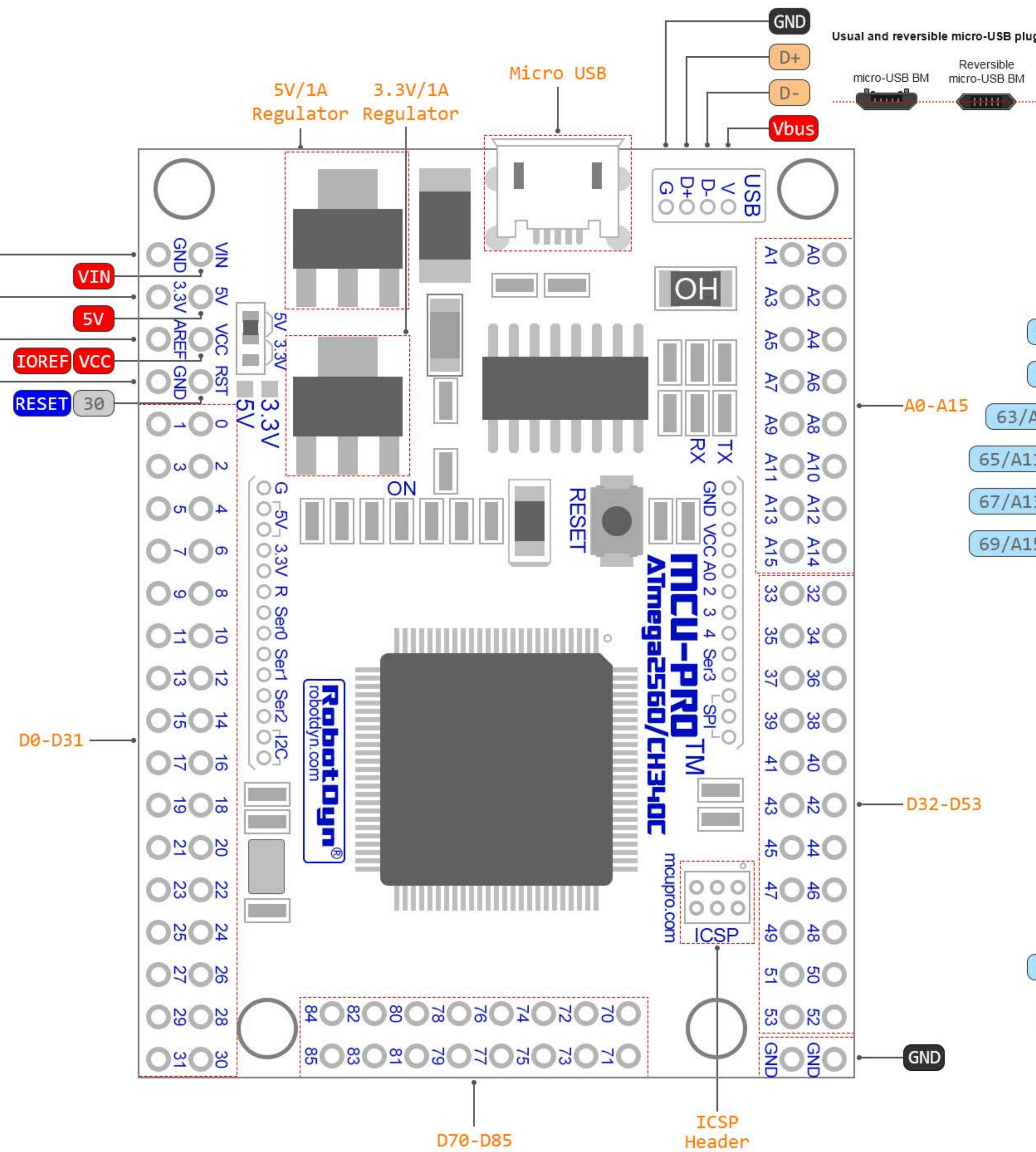
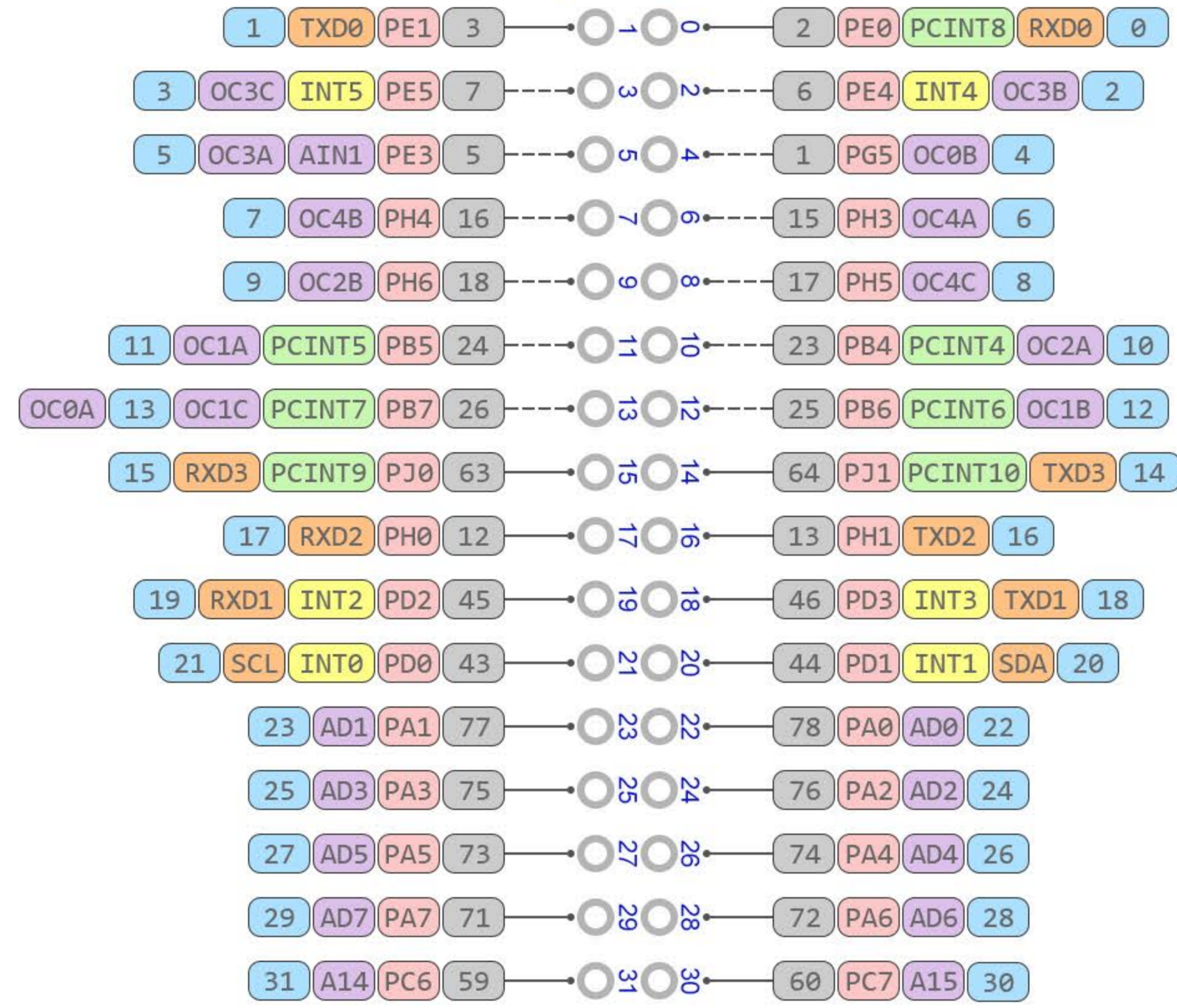


MCU-PRO Mega 2560 ATmega2560-16AU,
USB CH340C, 2-lines pinheaders pitch 0.1"

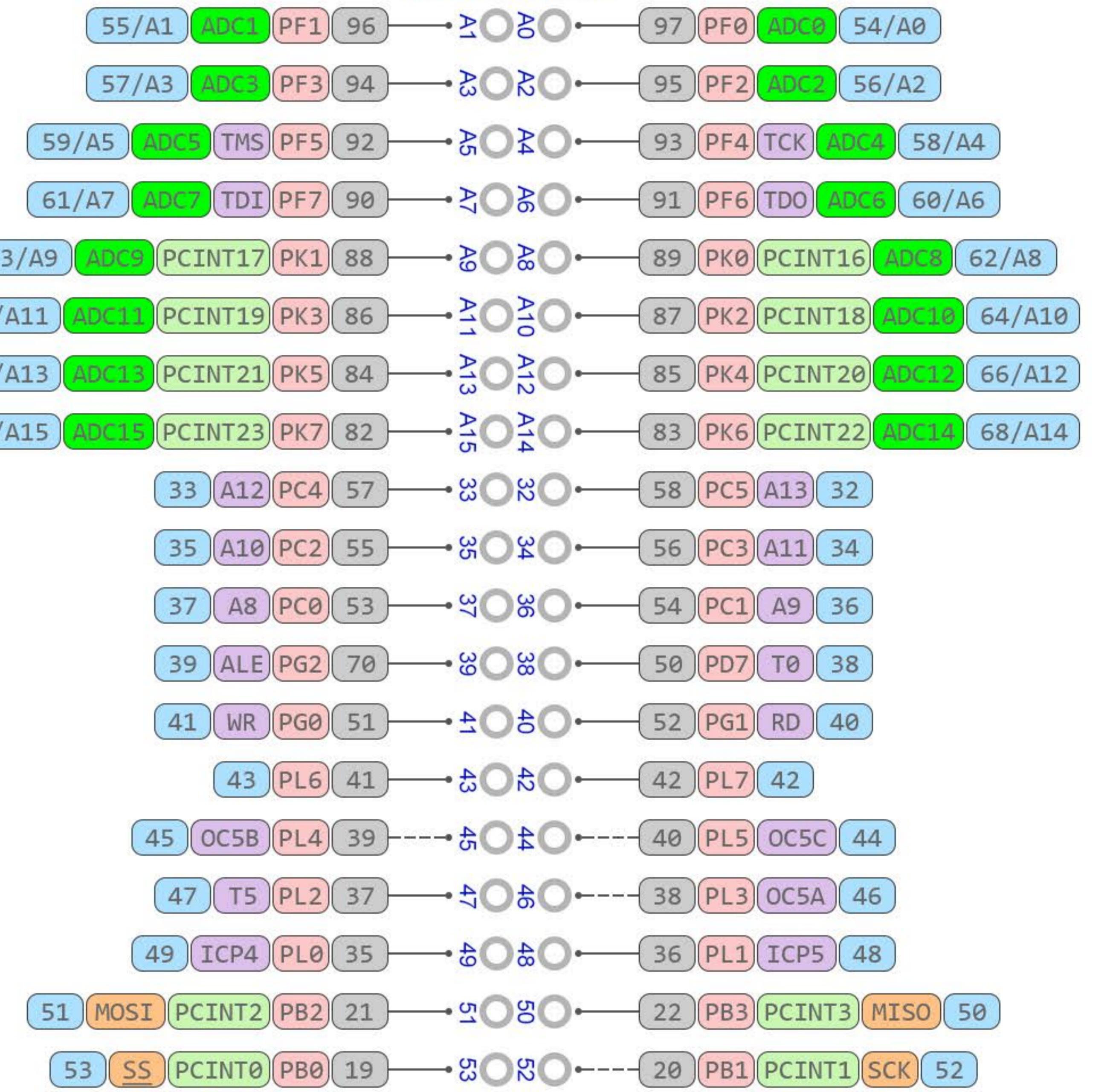
---- PWM-Wire

- Power
- Control
- GND
- Analog Pin
- Physical Pin
- Port Pin
- Serial Pin
- Interrupt Pin
- Pin function
- INT
- Arduino

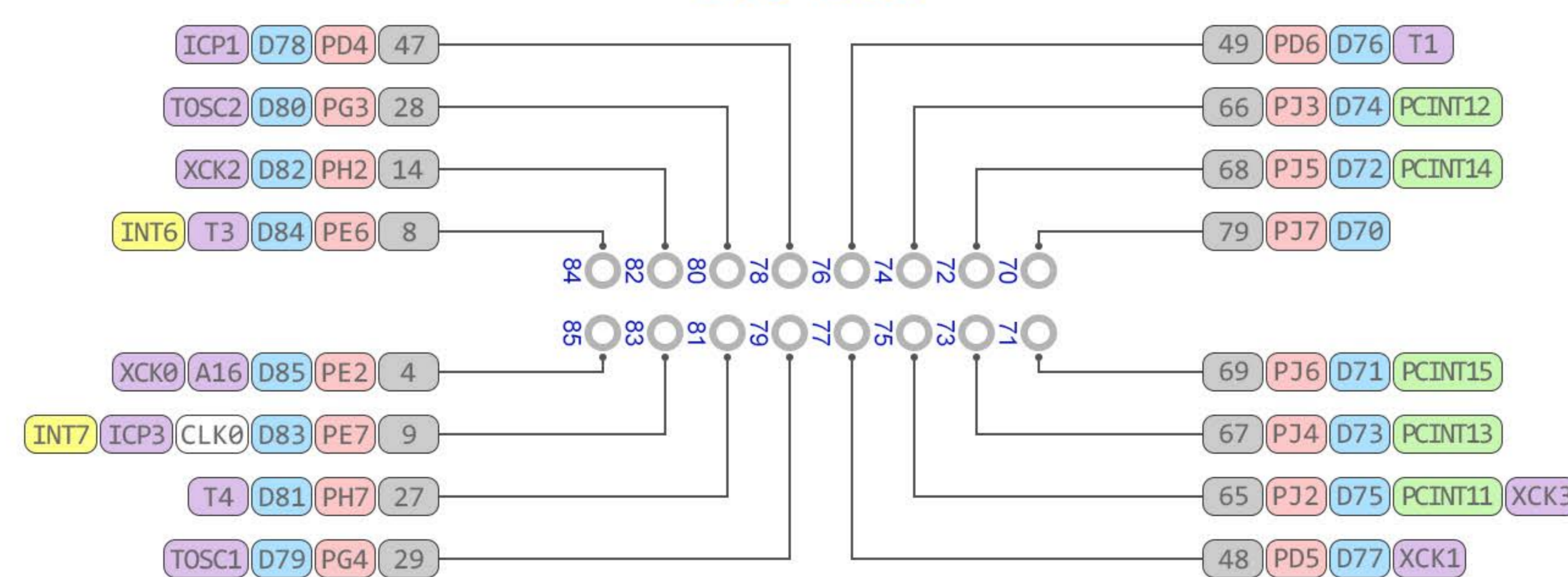
D0-D31



**A0-A15
D32-D53**



D70-D85



ICSP PINOUT

