

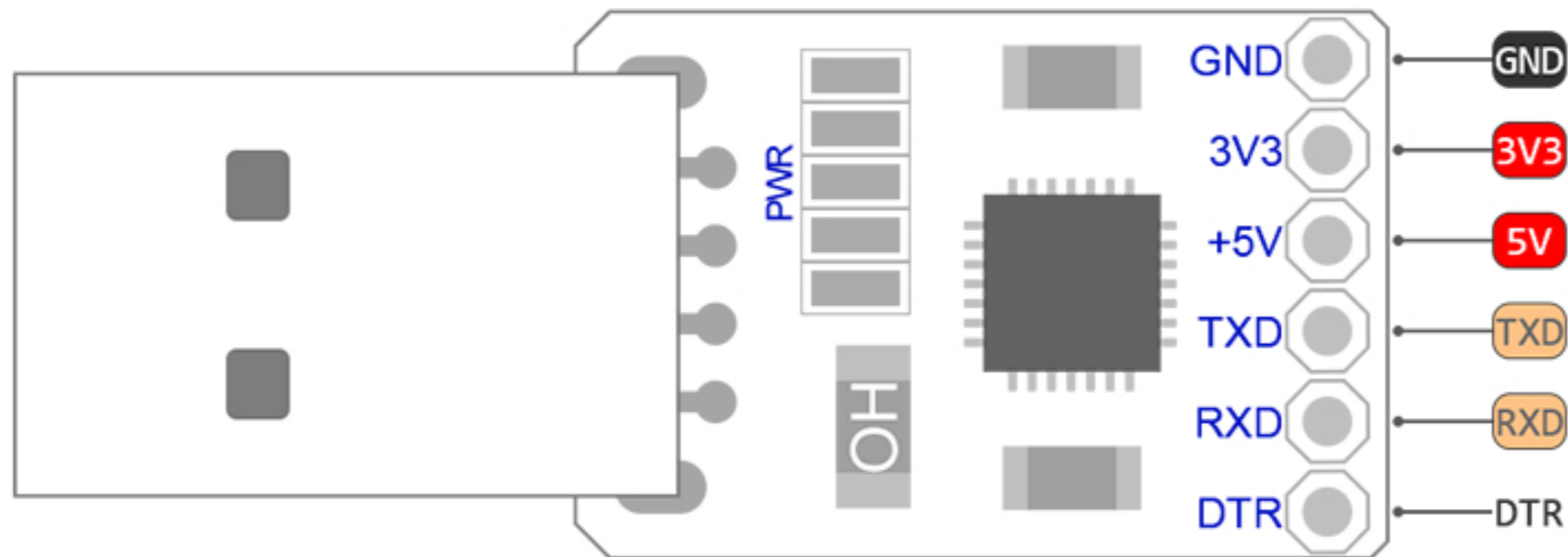
RobotDyn[®]

www.robotdyn.com

DIMENSION DIAGRAM

**USB-TTL Serial adapter
CP2102, 5V/3.3V, USB-A**

-  Power
-  GND
-  Serial Pin



RobotDyn[®]

04 Aug 2017