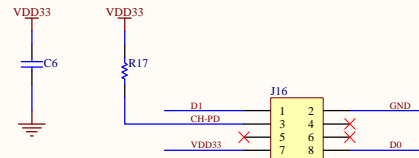
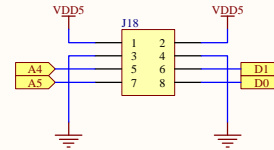


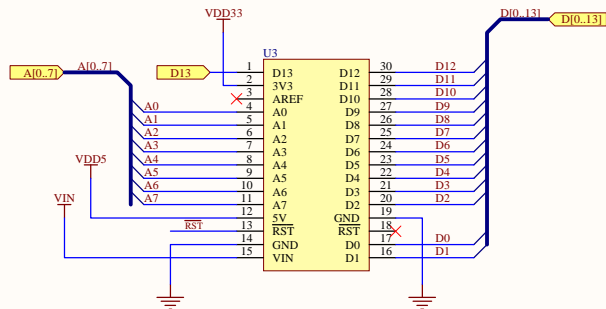
POWER



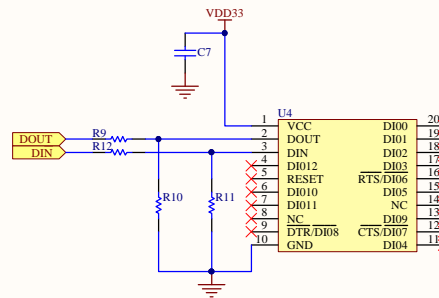
ESP8266 IO & I2C PORT & SERIAL PORT



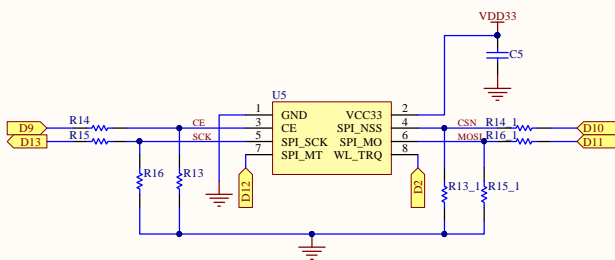
XBEE PORT



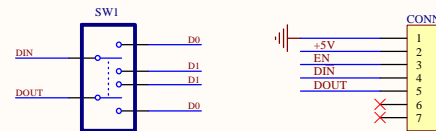
ARDUINO-NANO IO



APC PORT & SELECT

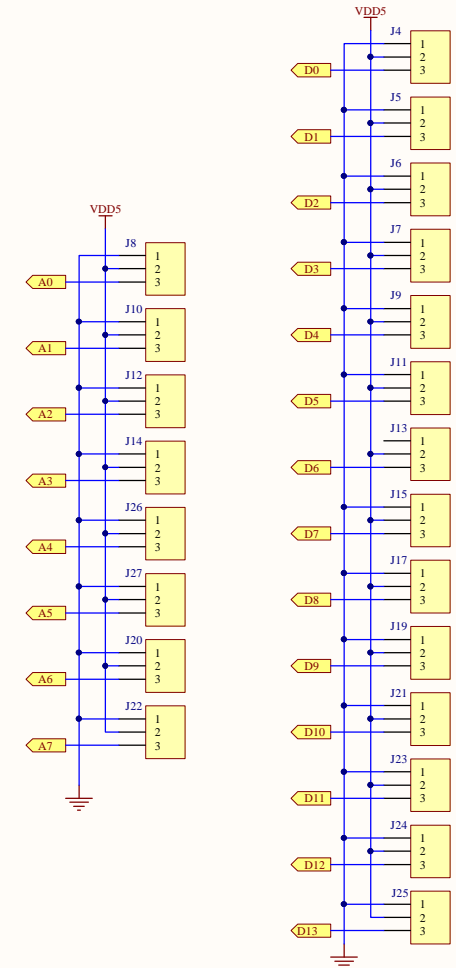


WL_MOUdle_2.4G



NANO-Wireless-Shield

EXTEND IO A0-A7 & D0-D13



RobotDyn®
www.robotdyn.com