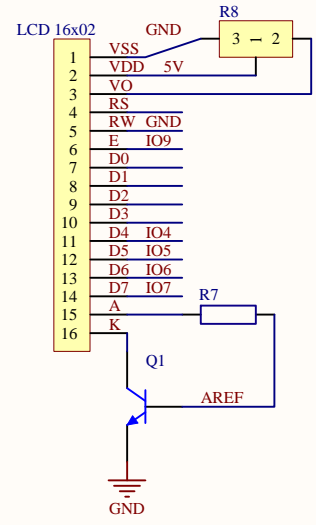
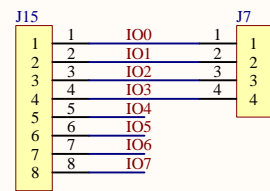
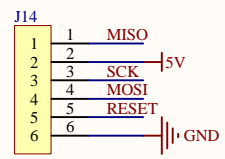
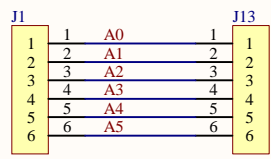


1 2 3 4

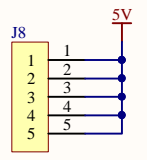
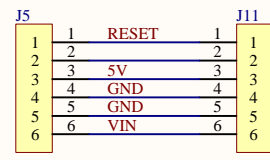
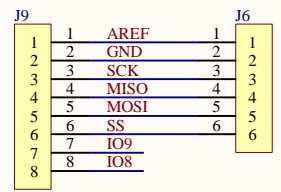
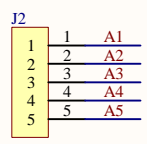
A

A



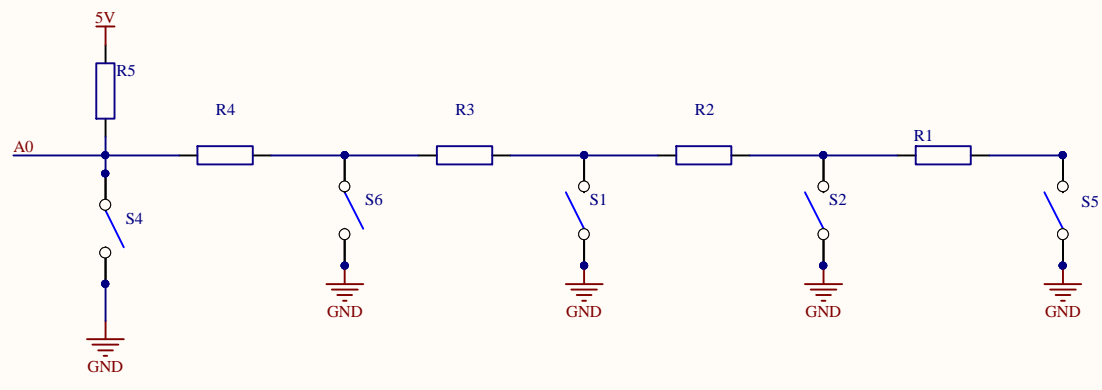
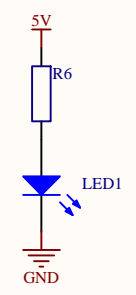
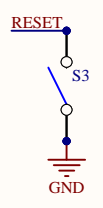
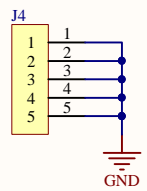
B

B



C

C



RobotDyn
www.robotdyn.com

KeyPad shield LCD 1602

D

D

1 2 3 4