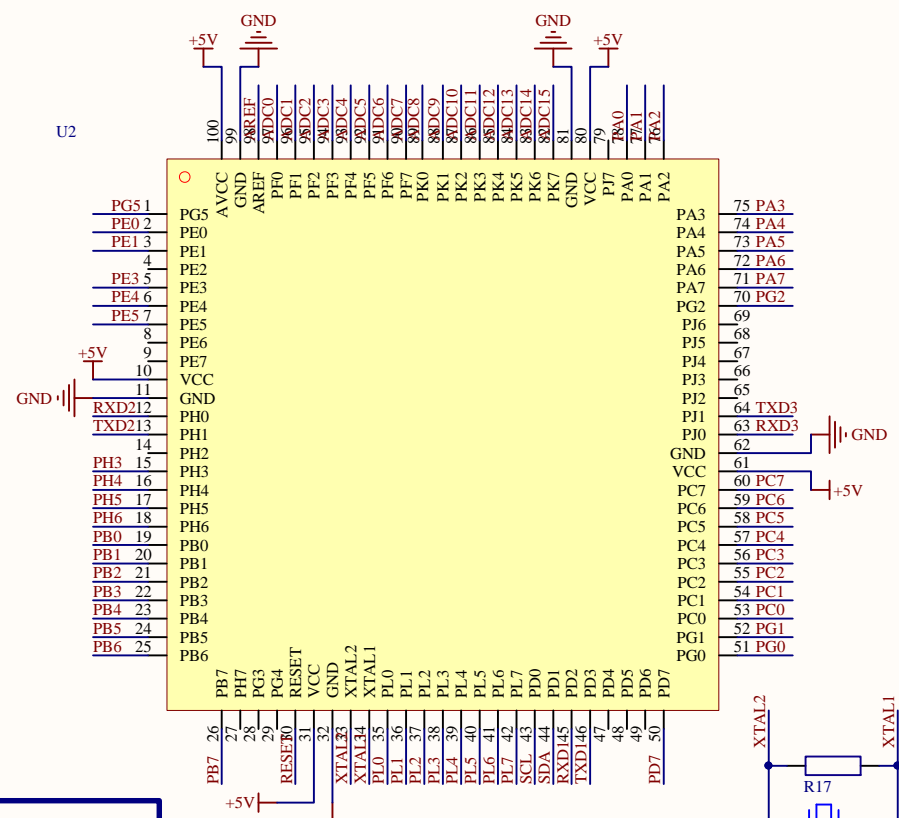
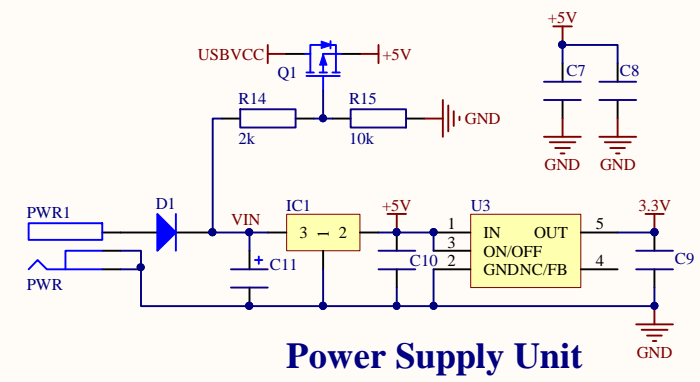


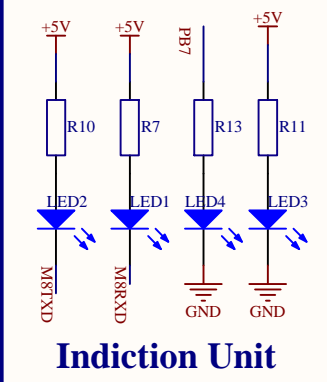
**USB Communication Unit**



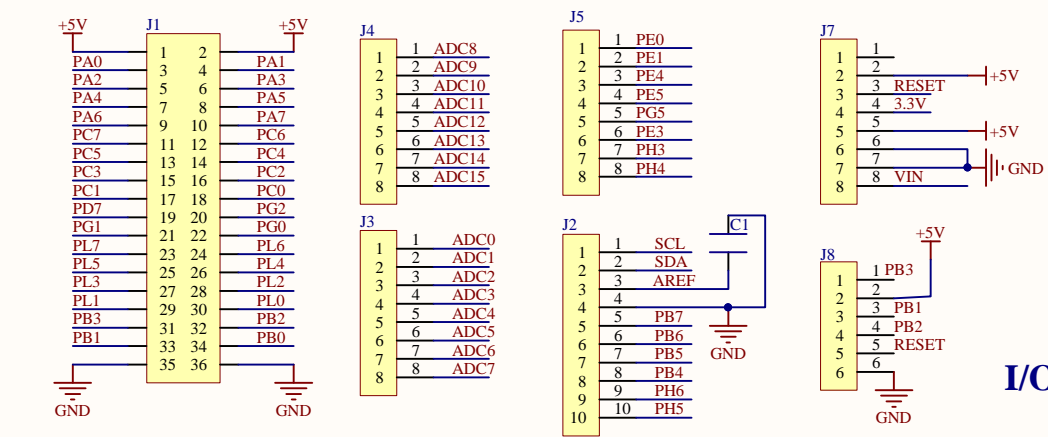
**MCU Unit**



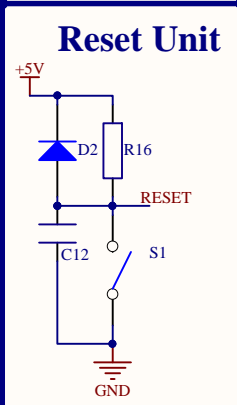
**Power Supply Unit**



**Indiction Unit**



**I/O Port Unit**



**Reset Unit**

  
[www.robotdyn.com](http://www.robotdyn.com)  
 SchematicDIAGRAM  
**Mega2560 CH340G**  
**/ATmega2560-16AU**